

Condensers

WA



7 kW

198 kW



EUROVENT
CERTIFIED PERFORMANCE



CERTIFY ALL
AIR COOLED CONDENSERS

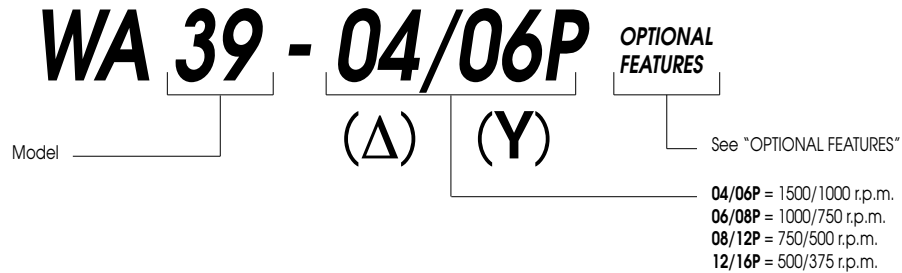
FRIGA-BOHN



www.friga-bohn.com

62 models from 7 to 198 kW:
34 basic models and 28 additional models coupling two identical units, (2 or 3 fans).
Either horizontal or vertical mounting as standard.

NOMENCLATURE



DESCRIPTION

• APPROVAL

The **WA** condenser line is EUROVENT approved. The ratings indicated are certified compliant to European standard EN 327.

• HIGH PERFORMANCE HEAT EXCHANGER

Compact, **WA** high performance heat exchanger is manufactured with copper tubes 3/8" (9.53 mm) diameter having a grooved internal structure, fitted in a staggered arrangement (25.4 x 19 mm) in the air flow and corrugated aluminium fins, (2.12 mm fin spacing) which greatly improve heat transfer coefficient.

• CASING

The **WA** range casings are made of galvanized steel sheet. The use of ultra violet resistant polyester paint and grey enamelled -RAL7035- galvanized steel, provide a high resistance to corrosion.

Components (fans, heat exchange coil) are fitted with stainless steel screws, fore more corrosion resistance.

• VENTILATION

The condensers of the **WA** range are equipped with the following fan assemblies:

Ø 500 mm, 2 speed: 04/06P = 1500/1000 r.p.m. or 08/12P = 750/500 r.p.m., and

Ø 630 mm, 2 speed: 04/06P = 1500/1000 r.p.m., 06/08P = 1000/750 r.p.m., 08/12P = 750/500 r.p.m. or 12/16P = 500/375 r.p.m., 400

V, three phase, 50 Hz, (50-60 Hz for 08/12P and 12/16P motors) monobloc, with external rotor, with overload protection included, IP54, class F. They need no maintenance.

The high performance fan blades give a low sound level.

The fan guards conform to the NF E51.190 standard.

2 speed motor coupling: Δ = high speed, Y = low speed.

OPTIONAL FEATURES

• Coil:

- MCI** Multicircuits on units with 2 and 3 fan assemblies
- BCA** Cataphoresis protection of the fins

• Motorfans:

Ø 500 mm

M60 Three phase fan assembly 60 Hz - 04/06P - 400 V/3

MM5 Single phase fan assembly 50 Hz - 04P - 230 V/1

M23 Three phase fan assembly 230 V * - 04/06P - 50 Hz - 08/12P - 50-60 Hz

Ø 630 mm

M60 Three phase fan assembly 60 Hz - 06/08P - 400 V/3

MM5 Single phase fan assembly 50 Hz - 06P - 230 V/1 - 520 W - 2,4 A

M23 Three phase fan assembly 230 V * - 04/06P - 50 Hz - 06/08P - 50 Hz - 08/12P - 50-60 Hz - 12/16P - 50-60 Hz

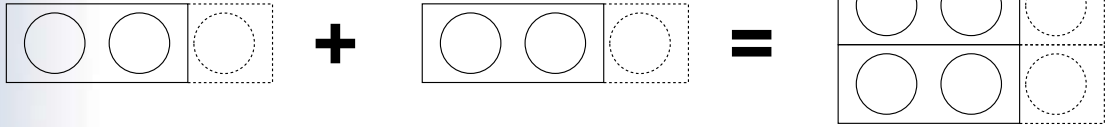
- Other options: Consult us

* Fan assemblies not held in stock.

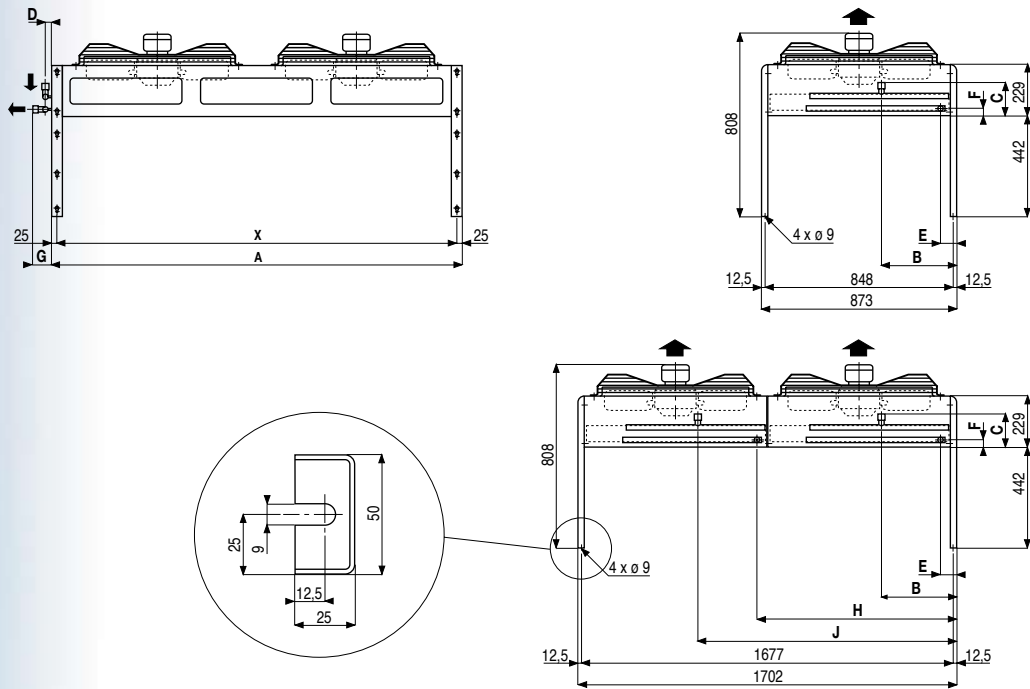
WA 39-04/06P

WA 39-04/06P

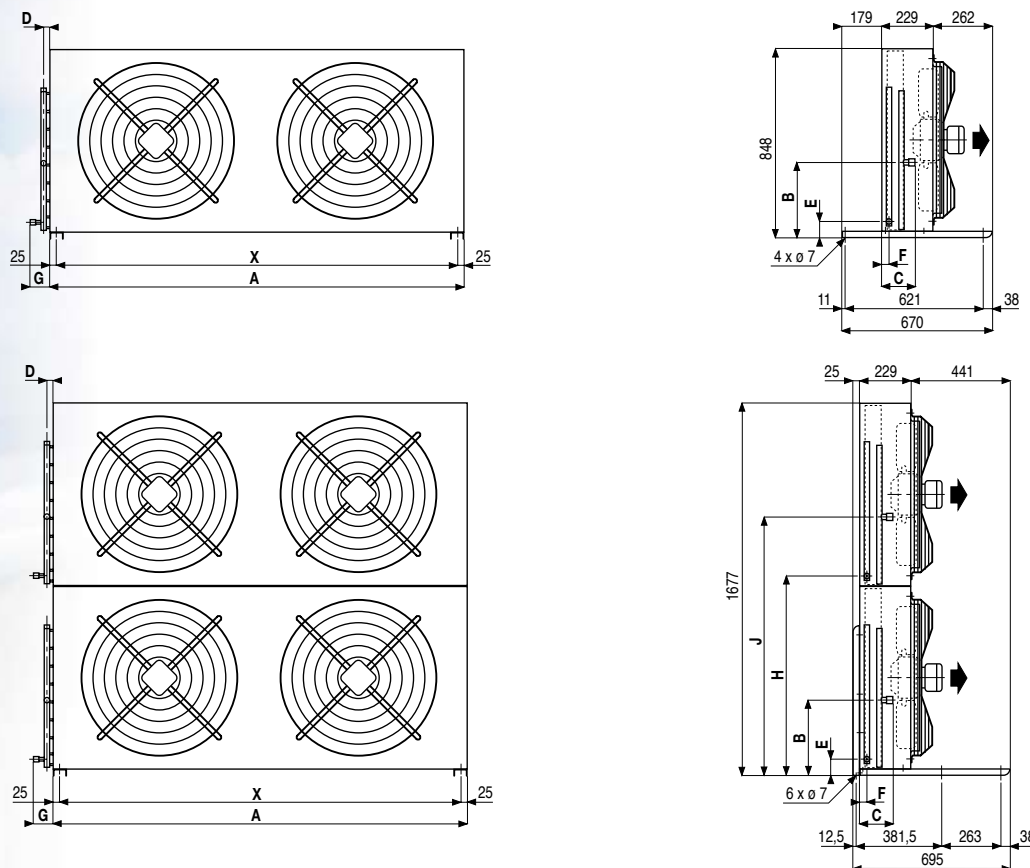
WA 2 x 39-04/06P



VERTICAL AIR FLOW



HORIZONTAL AIR FLOW



mm

WA .. 04P/06P (1500/1000 r.p.m.)

| Models | | WA .. | 15 | 19 | 22 | 30 | 39 | 44 | 48 | 58 | 67 | 54 | 59 | 81 | 95 | |
|-------------------------|-----------------------|-------------------|-------------|-------------|-------------|-------------|-------------|-------------|-------------|-------------|-------------|-------------|-------------|-------------|-------------|-------|
| Capacity P ₁ | DT1 = 15K R404A kW | 04P (Δ) | 12,7 | 16,5 | 18,8 | 25,3 | 33,1 | 37,5 | 38,0 | 49,6 | 56,3 | 56,5 | 62,6 | 85,3 | 98,8 | |
| | | 06P (Y) | 11,6 | 14,7 | 16,1 | 23,1 | 29,3 | 32,2 | 34,7 | 44,0 | 48,3 | 47,1 | 51,4 | 70,7 | 79,1 | |
| Surface | m ² | | 17,50 | 26,25 | 35,00 | 35,00 | 52,50 | 70,00 | 52,50 | 78,75 | 105,00 | 71,60 | 95,40 | 107,40 | 143,10 | |
| Circuit vol. | dm ³ | | 3,3 | 4,9 | 6,4 | 6,0 | 9,2 | 12,1 | 9,0 | 13,3 | 17,5 | 11,1 | 14,7 | 17,3 | 22,7 | |
| Fan * | Air flow | m ³ /h | 04P (Δ) | 5974 | 5634 | 5315 | 11948 | 11268 | 10630 | 17922 | 16902 | 15945 | 23200 | 21300 | 34800 | 31950 |
| | | 06P (Y) | 5036 | 4654 | 4275 | 10072 | 9308 | 8550 | 15108 | 13962 | 12825 | 16600 | 15100 | 24900 | 22650 | |
| | No | | 1x Ø 500 | 1x Ø 500 | 1x Ø 500 | 2x Ø 500 | 2x Ø 500 | 2x Ø 500 | 3x Ø 500 | 3x Ø 500 | 3x Ø 500 | 2x Ø 630 | 2x Ø 630 | 3x Ø 630 | 3x Ø 630 | |
| Energy efficiency class | | 04P (Δ) | E | E | D | E | E | D | E | E | D | E | E | E | E | |
| | | 06P (Y) | E | D | D | E | D | D | E | D | D | E | E | E | E | |
| Acoustic | Lw (1) | dB(A) | 04P (Δ) | 83 | 83 | 83 | 86 | 86 | 86 | 88 | 88 | 88 | 93 | 93 | 95 | 95 |
| | | | 06P (Y) | 78 | 78 | 78 | 81 | 81 | 81 | 83 | 83 | 83 | 85 | 85 | 87 | 87 |
| | Lp (2) | dB(A) | 04P (Δ) | 52 | 52 | 52 | 55 | 55 | 55 | 57 | 57 | 57 | 62 | 62 | 64 | 64 |
| | | | 06P (Y) | 47 | 47 | 47 | 50 | 50 | 50 | 52 | 52 | 52 | 54 | 54 | 56 | 56 |
| Net weight | kg | | 36 | 40 | 44 | 63 | 72 | 80 | 92 | 104 | 116 | 93 | 103 | 137 | 152 | |
| Circuits | No | | | | | 4 | 6 | 8 | 8 | 8 | 8 | 8 | 8 | 12 | 16 | |

| Models | | WA .. | 2 x 30 | 2 x 39 | 2 x 44 | 2 x 48 | 2 x 58 | 2 x 67 | 2 x 54 | 2 x 59 | 2 x 81 | 2 x 95 | |
|-------------------------|-----------------------|-------------------|-------------|-------------|-------------|-------------|-------------|-------------|-------------|-------------|-------------|-------------|-------|
| Capacity P ₁ | DT1 = 15K R404A kW | 04P (Δ) | 50,6 | 66,1 | 75,0 | 76,0 | 99,2 | 112,5 | 113,1 | 125,1 | 170,5 | 197,5 | |
| | | 06P (Y) | 46,2 | 58,6 | 64,4 | 69,3 | 88,0 | 96,5 | 94,1 | 102,9 | 141,3 | 158,3 | |
| Surface | m ² | | 70,00 | 105,00 | 140,00 | 105,00 | 157,50 | 210,00 | 143,20 | 190,80 | 214,80 | 286,20 | |
| Circuit vol. | dm ³ | | 12,0 | 18,4 | 24,2 | 18,0 | 26,6 | 35,0 | 22,2 | 29,4 | 34,6 | 45,4 | |
| Fan * | Air flow | m ³ /h | 04P (Δ) | 23896 | 22536 | 21260 | 35844 | 33804 | 31890 | 46400 | 42600 | 69600 | 63900 |
| | | 06P (Y) | 20144 | 18616 | 17100 | 30216 | 27924 | 25650 | 33200 | 30200 | 49800 | 45300 | |
| | No | | 2x Ø 500 | 2x Ø 500 | 2x Ø 500 | 3x Ø 500 | 3x Ø 500 | 3x Ø 500 | 2x Ø 630 | 2x Ø 630 | 3x Ø 630 | 3x Ø 630 | |
| Energy efficiency class | | 04P (Δ) | E | E | D | E | E | D | E | E | E | E | |
| | | 06P (Y) | E | D | D | E | D | D | E | E | E | E | |
| Acoustic | Lw (1) | dB(A) | 04P (Δ) | 89 | 89 | 89 | 91 | 91 | 91 | 96 | 96 | 98 | 98 |
| | | | 06P (Y) | 84 | 84 | 84 | 86 | 86 | 86 | 88 | 88 | 90 | 90 |
| | Lp (2) | dB(A) | 04P (Δ) | 58 | 58 | 58 | 60 | 60 | 60 | 65 | 65 | 67 | 67 |
| | | | 06P (Y) | 53 | 53 | 53 | 55 | 55 | 55 | 57 | 57 | 59 | 59 |
| Net weight | kg | | 126 | 144 | 160 | 184 | 208 | 232 | 186 | 206 | 274 | 304 | |
| Circuits | No | | 2 x 4 | 2 x 6 | 2 x 8 | 2 x 8 | 2 x 8 | 2 x 8 | 2 x 8 | 2 x 8 | 2 x 12 | 2 x 16 | |

* Ø 500 mm - 400 V/3/50 Hz - Δ : 580 W max- 1,05 A max (3) - Y : 440 W max- 0,71 A max (3)
 * Ø 630 mm - 400 V/3/50 Hz - Δ : 1950 W max- 3,4 A max (3) - Y : 1400 W max- 2,3 A max (3)

WA .. 06P/08P (1000/750 r.p.m.)

| Models | | WA .. | 41 | 42 | 57 | 65 | 2 x 41 | 2 x 42 | 2 x 57 | 2 x 65 | |
|-------------------------|-----------------------|-------------------|-------------|-------------|-------------|-------------|-------------|-------------|-------------|-------------|-------|
| Capacity P ₁ | DT1 = 15K R404A kW | 06P (Δ) | 42,6 | 45,9 | 63,9 | 68,9 | 85,2 | 91,9 | 127,9 | 137,8 | |
| | | 08P (Y) | 35,1 | 37,3 | 52,6 | 56,0 | 70,2 | 74,6 | 105,3 | 112,0 | |
| Surface | m ² | | 71,60 | 95,40 | 107,40 | 143,10 | 143,20 | 190,80 | 214,80 | 286,20 | |
| Circuit vol. | dm ³ | | 11,1 | 14,7 | 17,3 | 22,7 | 22,2 | 29,4 | 34,6 | 45,4 | |
| Fan * | Air flow | m ³ /h | 06P (Δ) | 14190 | 12686 | 21285 | 19029 | 28380 | 25372 | 42570 | 38058 |
| | | 08P (Y) | 10460 | 9408 | 15690 | 14112 | 20920 | 18816 | 31380 | 28224 | |
| | No | | 2x Ø 630 | 2x Ø 630 | 3x Ø 630 | 3x Ø 630 | 2x Ø 630 | 2x Ø 630 | 3x Ø 630 | 3x Ø 630 | |
| Energy efficiency class | | 06P (Δ) | C | C | C | C | C | C | C | C | |
| | | 08P (Y) | C | C | C | C | C | C | C | C | |
| Acoustic | Lw (1) | dB(A) | 06P (Δ) | 83 | 83 | 85 | 85 | 86 | 86 | 88 | 88 |
| | | | 08P (Y) | 76 | 76 | 78 | 78 | 79 | 79 | 81 | 81 |
| | Lp (2) | dB(A) | 06P (Δ) | 52 | 52 | 54 | 54 | 55 | 55 | 57 | 57 |
| | | | 08P (Y) | 45 | 45 | 47 | 47 | 48 | 48 | 50 | 50 |
| Net weight | kg | | 89 | 99 | 131 | 146 | 178 | 198 | 262 | 292 | |
| Circuits | No | | 8 | 8 | 12 | 16 | 2 x 8 | 2 x 8 | 2 x 12 | 2 x 16 | |

* Ø 630 mm - 400 V/3/50 Hz - Δ : 450 W max- 1,1 A max (3) - Y : 280 W max- 0,6 A max (3)

- (1) Sound power level in dB(A), obtained according to the NF EN 13487 norm (parallelepiped reference surface).
- (2) The sound pressure in dB(A) measured at a line-of-sight to reflecting parallelepiped surface distance of 10 meters, is given as an indication only. Values measured under normal working conditions with a clean coil at nominal voltage.
- (3) Setting of overload protections.

| Models | | WA .. | 10 | 13 | 14 | 21 | 26 | 27 | 32 | 37 | 40 | 34 | 36 | 47 | 51 |
|-------------------------|-----------------------|---------|-------------|-------------|-------------|-------------|-------------|-------------|-------------|-------------|-------------|-------------|-------------|-------------|-------------|
| Capacity P ₁ | DT1 = 15K R404A kW | 08P (Δ) | 8,8 | 10,6 | 11,3 | 17,7 | 21,2 | 22,6 | 26,5 | 31,8 | 33,9 | 34,5 | 36,2 | 51,8 | 54,2 |
| | | 12P (Y) | 7,5 | 8,8 | 9,1 | 15,0 | 17,6 | 18,3 | 22,5 | 26,3 | 27,4 | 25,9 | 26,6 | 38,8 | 40,0 |
| Surface | m ² | | 17,50 | 26,25 | 35,00 | 35,00 | 52,50 | 70,00 | 52,50 | 78,75 | 105,00 | 71,60 | 95,40 | 107,40 | 143,10 |
| Circuit vol. | dm ³ | | 3,3 | 4,9 | 6,4 | 6,0 | 9,2 | 12,1 | 9,0 | 13,3 | 17,5 | 11,1 | 14,7 | 17,3 | 22,7 |
| Fan * | Air flow | 08P (Δ) | 3165 | 2880 | 2655 | 6330 | 5760 | 5310 | 9495 | 8640 | 7965 | 10200 | 9062 | 15300 | 13593 |
| | | 12P (Y) | 2446 | 2226 | 2033 | 4892 | 4452 | 4066 | 7338 | 6678 | 6099 | 6780 | 6060 | 10170 | 9090 |
| | No | | 1x Ø 500 | 1x Ø 500 | 1x Ø 500 | 2x Ø 500 | 2x Ø 500 | 2x Ø 500 | 3x Ø 500 | 3x Ø 500 | 3x Ø 500 | 2x Ø 630 | 2x Ø 630 | 3x Ø 630 | 3x Ø 630 |
| Energy efficiency class | | 08P (Δ) | B | B | B | B | B | B | B | B | B | C | C | C | C |
| | | 12P (Y) | B | A | A | B | A | A | C | C | C | B | B | B | B |
| Acoustic | Lw (1) | 08P (Δ) | 64 | 64 | 64 | 67 | 67 | 67 | 69 | 69 | 69 | 75 | 75 | 77 | 77 |
| | | 12P (Y) | 58 | 58 | 58 | 61 | 61 | 61 | 63 | 63 | 63 | 67 | 67 | 69 | 69 |
| | Lp (2) | 08P (Δ) | 33 | 33 | 33 | 36 | 36 | 36 | 38 | 38 | 38 | 44 | 44 | 46 | 46 |
| | | 12P (Y) | 27 | 27 | 27 | 30 | 30 | 30 | 32 | 32 | 32 | 36 | 36 | 38 | 38 |
| Net weight | kg | | 36 | 40 | 44 | 63 | 72 | 80 | 92 | 104 | 116 | 89 | 99 | 131 | 146 |
| Circuits | No | | | | | 4 | 6 | 8 | 8 | 8 | 8 | 8 | 8 | 12 | 16 |

| Models | | WA .. | 2 x 21 | 2 x 26 | 2 x 27 | 2 x 32 | 2 x 37 | 2 x 40 | 2 x 34 | 2 x 36 | 2 x 47 | 2 x 51 |
|-------------------------|-----------------------|---------|-------------|-------------|-------------|-------------|-------------|-------------|-------------|-------------|-------------|-------------|
| Capacity P ₁ | DT1 = 15K R404A kW | 08P (Δ) | 35,3 | 42,4 | 45,1 | 53,0 | 63,6 | 67,7 | 69,1 | 72,3 | 103,6 | 108,5 |
| | | 12P (Y) | 30,0 | 35,1 | 36,6 | 45,0 | 52,6 | 54,8 | 51,7 | 53,3 | 77,6 | 79,9 |
| Surface | m ² | | 70,00 | 105,00 | 140,00 | 105,00 | 157,50 | 210,00 | 143,20 | 190,80 | 214,80 | 286,20 |
| Circuit vol. | dm ³ | | 12,0 | 18,4 | 24,2 | 18,0 | 26,6 | 35,0 | 22,2 | 29,4 | 34,6 | 45,4 |
| Fan * | Air flow | 08P (Δ) | 12660 | 11520 | 10620 | 18990 | 17280 | 15930 | 20400 | 18124 | 30600 | 27186 |
| | | 12P (Y) | 9784 | 8904 | 8132 | 14676 | 13356 | 12198 | 13560 | 12120 | 20340 | 18180 |
| | No | | 2x Ø 500 | 2x Ø 500 | 2x Ø 500 | 3x Ø 500 | 3x Ø 500 | 3x Ø 500 | 2x Ø 630 | 2x Ø 630 | 3x Ø 630 | 3x Ø 630 |
| Energy efficiency class | | 08P (Δ) | B | B | B | B | B | B | C | C | C | C |
| | | 12P (Y) | B | A | A | C | C | C | B | B | B | B |
| Acoustic | Lw (1) | 08P (Δ) | 70 | 70 | 70 | 72 | 72 | 72 | 78 | 78 | 80 | 80 |
| | | 12P (Y) | 64 | 64 | 64 | 66 | 66 | 66 | 70 | 70 | 72 | 72 |
| | Lp (2) | 08P (Δ) | 39 | 39 | 39 | 41 | 41 | 41 | 47 | 47 | 49 | 49 |
| | | 12P (Y) | 33 | 33 | 33 | 35 | 35 | 35 | 39 | 39 | 41 | 41 |
| Net weight | kg | | 126 | 144 | 160 | 184 | 208 | 232 | 178 | 198 | 262 | 292 |
| Circuits | No | | 2 x 4 | 2 x 6 | 2 x 8 | 2 x 8 | 2 x 8 | 2 x 8 | 2 x 8 | 2 x 8 | 2 x 12 | 2 x 16 |

* Ø 500 mm - 400 V/3/50-60 Hz - Δ : 115 W max- 0,3 A max (3) - Y : 75 W max- 0,15 A max (3)
 * Ø 630 mm - 400 V/3/50-60 Hz - Δ : 260 W max- 0,68 A max (3) - Y : 160 W max- 0,32 A max (3)

WA .. 12P/16P (500/375 r.p.m.)

| Models | | WA .. | 23 | 24 | 28 | 29 | 2 x 23 | 2 x 24 | 2 x 28 | 2 x 29 |
|-------------------------|-----------------------|---------|-------------|-------------|-------------|-------------|-------------|-------------|-------------|-------------|
| Capacity P ₁ | DT1 = 15K R404A kW | 12P (Δ) | 21,8 | 22,4 | 32,7 | 33,7 | 43,6 | 44,9 | 65,4 | 67,3 |
| | | 16P (Y) | 16,6 | 16,8 | 24,9 | 25,1 | 33,2 | 33,5 | 49,8 | 50,3 |
| Surface | m ² | | 71,60 | 95,40 | 107,40 | 143,10 | 143,20 | 190,80 | 214,80 | 286,20 |
| Circuit vol. | dm ³ | | 11,1 | 14,7 | 17,3 | 22,7 | 22,2 | 29,4 | 34,6 | 45,4 |
| Fan * | Air flow | 12P (Δ) | 5376 | 4942 | 8064 | 7413 | 10752 | 9884 | 16128 | 14826 |
| | | 16P (Y) | 3790 | 3484 | 5685 | 5226 | 7580 | 6968 | 11370 | 10452 |
| | No | | 2x Ø 630 | 2x Ø 630 | 3x Ø 630 | 3x Ø 630 | 2x Ø 630 | 2x Ø 630 | 3x Ø 630 | 3x Ø 630 |
| Energy efficiency class | | 12P (Δ) | C | C | C | C | C | C | C | C |
| | | 16P (Y) | B | B | B | B | B | B | B | B |
| Acoustic | Lw (1) | 12P (Δ) | 64 | 64 | 66 | 66 | 67 | 67 | 69 | 69 |
| | | 16P (Y) | 57 | 57 | 59 | 59 | 60 | 60 | 62 | 62 |
| | Lp (2) | 12P (Δ) | 33 | 33 | 35 | 35 | 36 | 36 | 38 | 38 |
| | | 16P (Y) | 26 | 26 | 28 | 28 | 29 | 29 | 31 | 31 |
| Net weight | kg | | 89 | 99 | 131 | 146 | 178 | 198 | 262 | 292 |
| Circuits | No | | 8 | 8 | 12 | 16 | 2 x 8 | 2 x 8 | 2 x 12 | 2 x 16 |

* Ø 630 mm - 400 V/3/50-60 Hz - Δ : 190 W max- 0,5 A max (3) - Y : 90 W max- 0,2 A max (3)

- (1) Sound power level in dB(A), obtained according to the NF EN 13487 norm (parallelepiped reference surface).
- (2) The sound pressure in dB(A) measured at a line-of-sight to reflecting parallelepiped surface distance of 10 meters, is given as an indication only. Values measured under normal working conditions with a clean coil at nominal voltage.
- (3) Setting of overload protections.

DIMENSIONAL DATA

WA .. Ø 500 mm

| Models | WA .. | 04/06P | 15 | 19 | 22 | 30 | 39 | 44 | 48 | 58 | 67 |
|--------|----------|--------|------|------|------|------|------|------|------|--------|--------|
| | | 08/12P | 10 | 13 | 14 | 21 | 26 | 27 | 32 | 37 | 40 |
| Fan | Ø 500 mm | No | 1 | 1 | 1 | 2 | 2 | 2 | 3 | 3 | 3 |
| A | | mm | 730 | 730 | 730 | 1390 | 1390 | 1390 | 2050 | 2050 | 2050 |
| B | | mm | 240 | 520 | 340 | 340 | 495 | 390 | 390 | 470 | 390 |
| C | | mm | 150 | 150 | 150 | 150 | 155 | 155 | 155 | 155 | 155 |
| D | | mm | 20 | 25 | 25 | 25 | 30 | 30 | 30 | 30 | 30 |
| E | | mm | 55 | 40 | 55 | 55 | 45 | 55 | 55 | 45 | 55 |
| F | | mm | 73 | 53 | 34 | 73 | 53 | 34 | 73 | 53 | 34 |
| G | | mm | 78 | 81 | 81 | 81 | 88 | 88 | 92 | 88 | 88 |
| X | | mm | 680 | 680 | 680 | 1340 | 1340 | 1340 | 2000 | 2000 | 2000 |
| Inlet | | ODF * | 1/2" | 5/8" | 5/8" | 3/4" | 7/8" | 7/8" | 7/8" | 1 1/8" | 1 1/8" |
| Outlet | | ODF * | 1/2" | 5/8" | 5/8" | 5/8" | 7/8" | 7/8" | 7/8" | 7/8" | 7/8" |

| Models | WA .. | 04/06P | 2 x 30 | 2 x 39 | 2 x 44 | 2 x 48 | 2 x 58 | 2 x 67 |
|--------|----------|--------|----------|----------|----------|----------|------------|------------|
| | | 08/12P | 2 x 21 | 2 x 26 | 2 x 27 | 2 x 32 | 2 x 37 | 2 x 40 |
| Fan | Ø 500 mm | No | 2 x 2 | 2 x 2 | 2 x 2 | 2 x 3 | 2 x 3 | 2 x 3 |
| A | | mm | 1390 | 1390 | 1390 | 2050 | 2050 | 2050 |
| B | | mm | 340 | 495 | 390 | 390 | 470 | 390 |
| C | | mm | 150 | 155 | 155 | 155 | 155 | 155 |
| D | | mm | 25 | 30 | 30 | 30 | 30 | 30 |
| E | | mm | 55 | 45 | 55 | 55 | 45 | 55 |
| F | | mm | 73 | 53 | 34 | 73 | 53 | 34 |
| G | | mm | 81 | 88 | 88 | 92 | 88 | 88 |
| H | | mm | 885 | 875 | 885 | 885 | 875 | 885 |
| J | | mm | 1170 | 1325 | 1220 | 1220 | 1300 | 1220 |
| X | | mm | 1340 | 1340 | 1340 | 2000 | 2000 | 2000 |
| Inlet | | ODF * | 2 x 3/4" | 2 x 7/8" | 2 x 7/8" | 2 x 7/8" | 2 x 1 1/8" | 2 x 1 1/8" |
| Outlet | | ODF * | 2 x 5/8" | 2 x 7/8" | 2 x 7/8" | 2 x 7/8" | 2 x 7/8" | 2 x 7/8" |

* ODF = Female sweat type connection

WA .. Ø 630 mm

| Models | WA .. | 04/06P | 54 | 59 | 81 | 95 | 2 x 54 | 2 x 59 | 2 x 81 | 2 x 95 |
|--------|----------|--------|--------|--------|--------|--------|------------|------------|------------|------------|
| | | 06/08P | 41 | 42 | 57 | 65 | 2 x 41 | 2 x 42 | 2 x 57 | 2 x 65 |
| | | 08/12P | 34 | 36 | 47 | 51 | 2 x 34 | 2 x 36 | 2 x 47 | 2 x 51 |
| | | 12/16P | 23 | 24 | 28 | 29 | 2 x 23 | 2 x 24 | 2 x 28 | 2 x 29 |
| Fan | Ø 630 mm | No | 2 | 2 | 3 | 3 | 2 x 2 | 2 x 2 | 2 x 3 | 2 x 3 |
| A | | mm | 1870 | 1870 | 2770 | 2770 | 1870 | 1870 | 2770 | 2770 |
| B | | mm | 470 | 390 | 455 | 455 | 470 | 390 | 455 | 455 |
| C | | mm | 150 | 150 | 160 | 160 | 150 | 150 | 160 | 160 |
| D | | mm | 25 | 25 | 50 | 50 | 25 | 25 | 50 | 50 |
| E | | mm | 45 | 55 | 45 | 60 | 45 | 55 | 45 | 60 |
| F | | mm | 53 | 34 | 53 | 34 | 53 | 34 | 53 | 34 |
| G | | mm | 85 | 85 | 115 | 115 | 85 | 85 | 115 | 115 |
| H | | mm | - | - | - | - | 875 | 885 | 875 | 890 |
| J | | mm | - | - | - | - | 1300 | 1220 | 1285 | 1285 |
| X | | mm | 1820 | 1820 | 2720 | 2720 | 1820 | 1820 | 2720 | 2720 |
| Inlet | | ODF * | 1 1/8" | 1 1/8" | 1 3/8" | 1 3/8" | 2 x 1 1/8" | 2 x 1 1/8" | 2 x 1 3/8" | 2 x 1 3/8" |
| Outlet | | ODF * | 7/8" | 1 1/8" | 1 1/8" | 1 1/8" | 2 x 7/8" | 2 x 1 1/8" | 2 x 1 1/8" | 2 x 1 1/8" |

* ODF = Female sweat type connection